

REDWOOD



for
BALE WRAPPER
Power Units

DIESEL ENGINE POWER UNIT for BALE WRAPPER

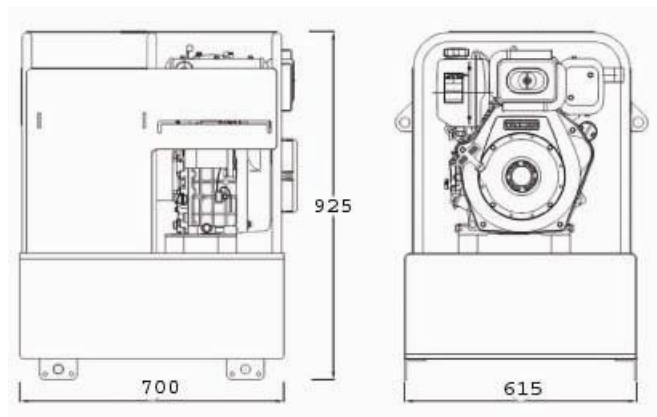


Specification

6.3kW / 8.5hp Air cooled key-start engine
Electric & recoil starting
Manual shut down
Pump flow 22 Lpm
Max operating pressure 160 bar
12V Charging system
Manual unloading for easy start
Available with or without 10" wheels

YOUR NEAREST REDWOOD

DUBLIN: +353 (0) 45 891888
CORK: +353 (0) 21 4632176
DUNGANNON: +44 (0) 28 87727863
BIRMINGHAM: +44 (0) 1384 892153



www.redwoodhydraulics.com
Email: sales@redwoodhydraulics.com

Dublin: Unit 1A Blessington Business Park, Blessington, Co. Wicklow, IRELAND
Cork: Unit 10 Owenacurra Business Park, Knockgriffin, Midleton Co. Cork, IRELAND
Dungannon: Unit 3A Dungannon Business Park, 2 Coalisland Road, Dungannon, Co. Tyrone, BT71 6JT, N.I
Birmingham: Unit 17 Lye Business Centre, Enterprise Drive, Stourbridge, DY9 8QH, ENGLAND